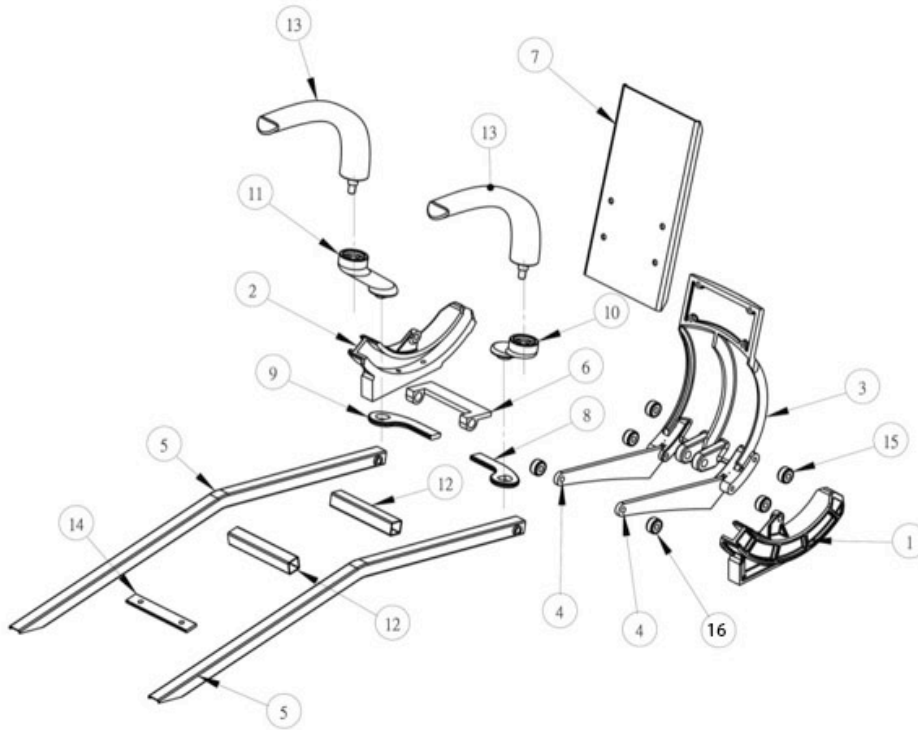
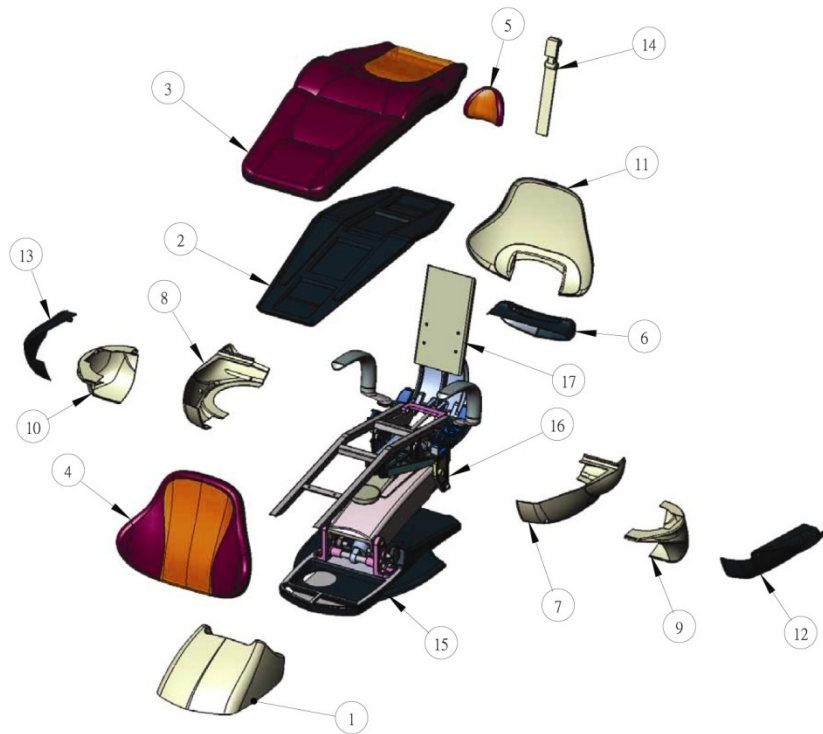


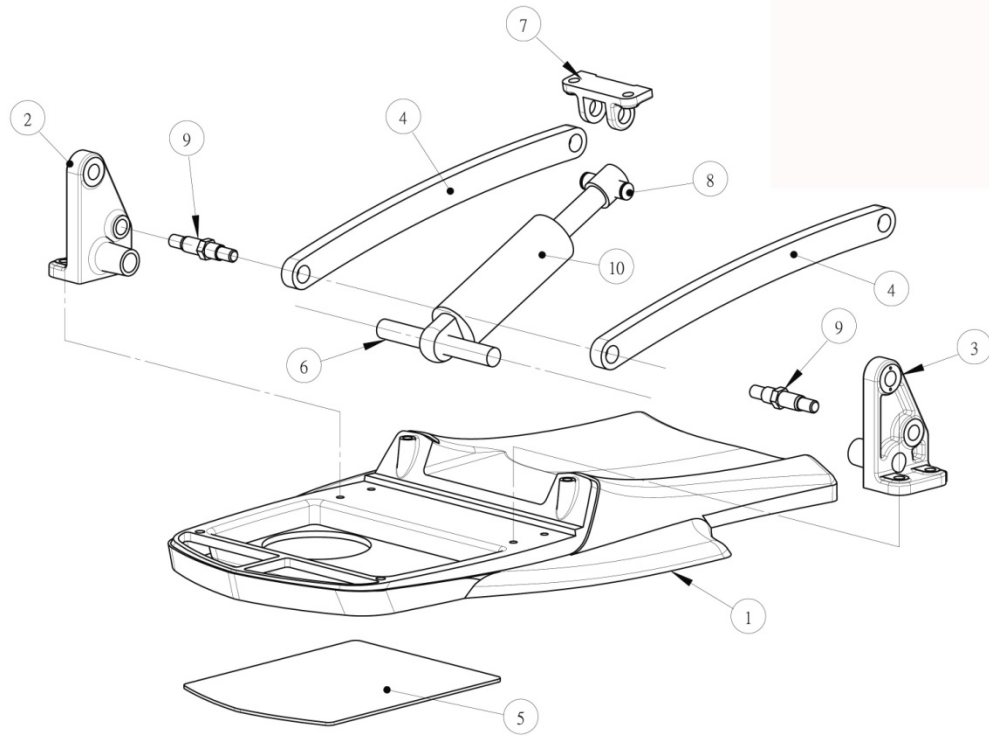
Mirage Model 4000 Replacement parts list



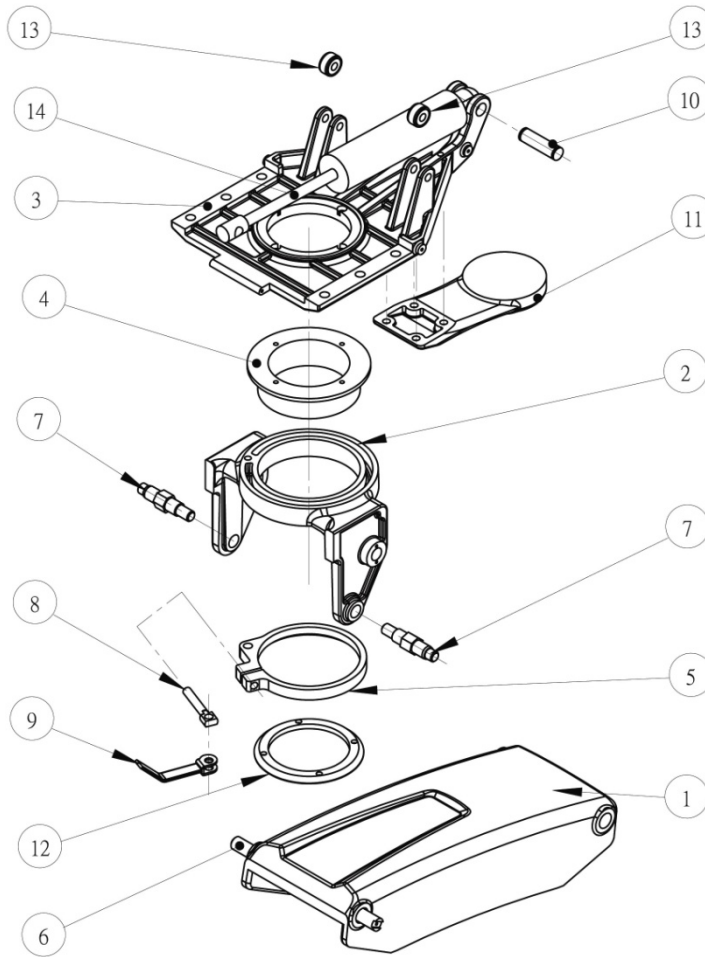
NO.	Description	Part Number
1	Roller Base L	M4000-008A
2	Roller Base R	M4000-009A
3	Cast Back Roller	M4000-010A
4	Back Flange	M4000-011A
5	Cushion Frame	M4000-012A
6	U Bracket	M4000-022
7	Backrest Frame	M4000-025
8	Arm Rest flange 1	M4000-028
9	Arm Rest Flange 2	M4000-28A
10	Arm Rest Bracket L	M4000-029
11	Arm Rest Bracket R	M4000-029A
12	Cross Support	M4000-041
13	Arm Rest	M4000-042
14	Cross Support Bolt	M4000-043
15	Rollers ball bearings	M4000-12ZZ
16	HD Nylon Seat Frame	M4000-1215
	Roller 2 PK	



NO.	Description	Part Number
1	Pump Cover	M4000-015
3	Bottom Cushion	M4000-024
4	Backrest Cushion	M4000-026
5	Head Rest	M4000-027
6	Rear Flange Cover	M4000-030
7	L Lower Side Cover	M4000-031
8	R Lower Side Cover	M4000-031A
9	Rear L side Cover	M4000-032
10	Rear R Side Cover	M4000-032A
11	Backrest Cover	M4000-033
12	Upper L Cover	M4000-034
13	Upper R Cover	M4000-034A
14	Head Rest Stem	M4000-01
15	Cast Base	M4000-A
16	Cantilever Cast	M4000-B
17	Back Rest Base	M4000-C



NO.	Description	Part Number
1	Cast Base	M4000-001
2	R Arm Support	M4000-002
3	L Arm Support	M4000-003
4	Arm	M4000-006
5	Bottom Base Cover	M4000-016
6	Bottom Pump T	M4000-017
7	Top Pump Arm	M4000-018
8	Top Pump T	M4000-019
9	Connecting Rod	M4000-036
10	Hydraulic Pump	M4000-HYD



NO.	Description	Part Number
1	Cantilever	M4000-004
2	Rotator Base	M4000-005
3	Rotator Top	M4000-007
4	Rotator Insert	M4000-020
5	Break Clamp	M4000-021
6	Cantilever Rod	M4000-035
7	Cantilever Pins	M4000-037
8	Break Clamp Rod	M4000-038
9	Break Clamp Arm	M4000-039
10	Hydraulic Pin	M4000-040
11	Bracket Base	M4000-044
12	Insert Base Connector	M4000-045
13	Rollers	M4000-RSP
14	Hydraulic Piston	M4000-HYD