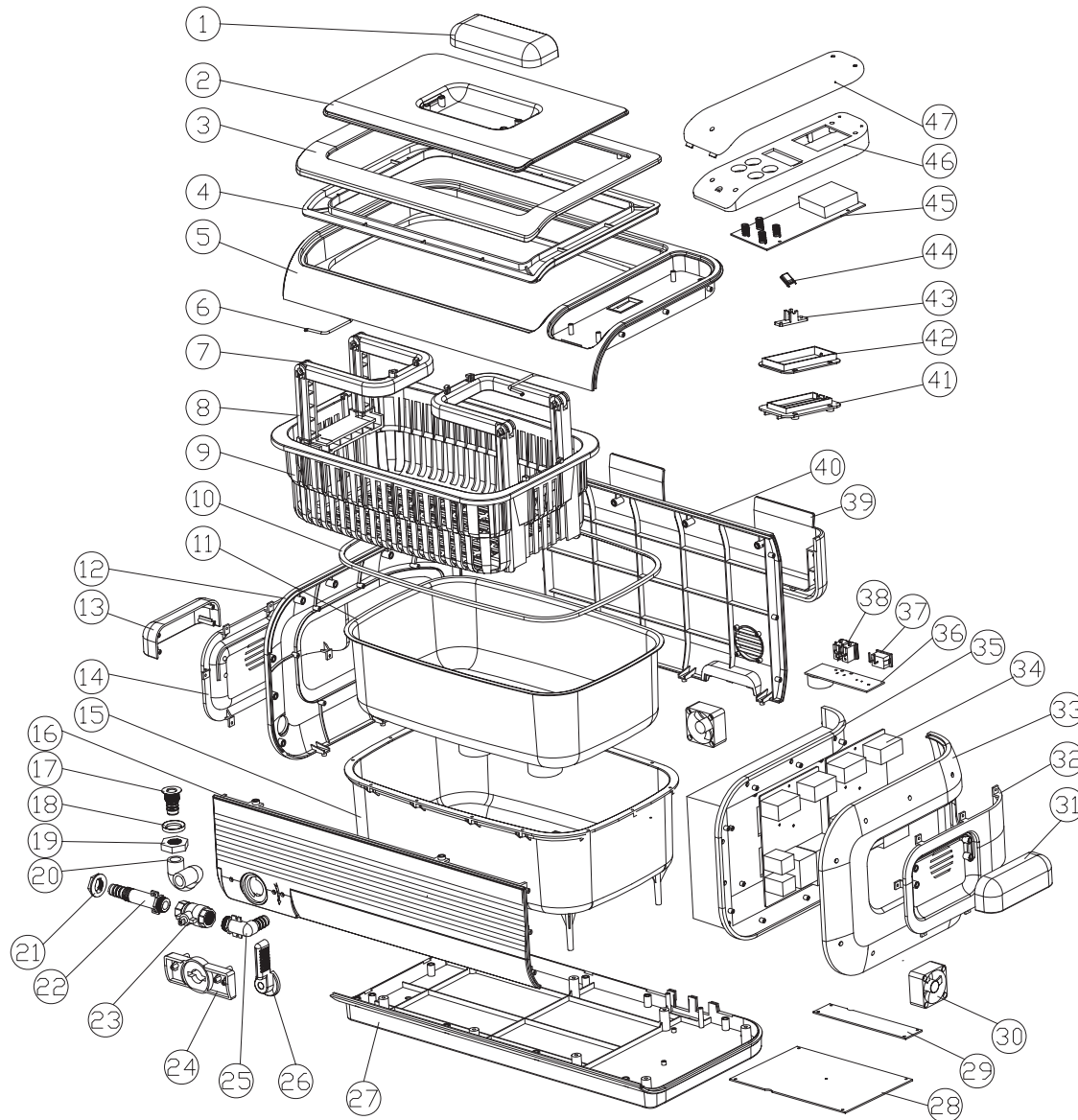


PRODUCT EXPLODED VIEW



No.	Item	Material
①	Top handle	ABS
②	Lid-window	AS
③	Lid-top	ABS
④	Lid-bottom	ABS
⑤	Top ring	ABS
⑥	Stainless steel handle	SUS 304
⑦	Basket foldable handle 1	ABS
⑧	Basket foldable handle 2	ABS
⑨	Plastic basket	ABS
⑩	Silicon seal	Silicone rubber
⑪	Stainless steel tank	SUS 304
⑫	Left cover	ABS
⑬	Left handle	ABS
⑭	Left panel	ABS
⑮	Inner tank	ABS
⑯	Front cover	ABS
⑰	Spout	SUS 304
⑱	Washer	AL
⑲	Nut	AL
⑳	Hose	Silicone rubber
㉑	Nut	ABS
㉒	Spout	ABS
㉓	Ball valve	Standard part
㉔	Bracket	ABS
㉕	Elbow	ABS
㉖	Valve handle	ABS
㉗	Bottom cover	ABS
㉘	Power PCB 1	94V0
㉙	Power PCB 2	94V0
㉚	Cooling fan	Standard part
㉛	Right handle	ABS
㉜	Right panel	ABS
㉝	Right cover	ABS
㉞	Transducer PCB	94V0
㉟	Right panel	ABS
㊱	Power switch	94V0
㊲	Power switch	Standard part
㊳	Power socket	Standard part
㊴	Cover holder	ABS
㊵	Back cover	ABS
㊶	Heater cover	PA 66
㊷	Heater pocket	PA 66
㊸	Thermocouple holder	ABS
㊹	Thermal cutoff	A0-3A-F
㊺	LED	Fire retardant ABS
㊻	Control panel box	ABS
㊼	Control panel cover	PMMA