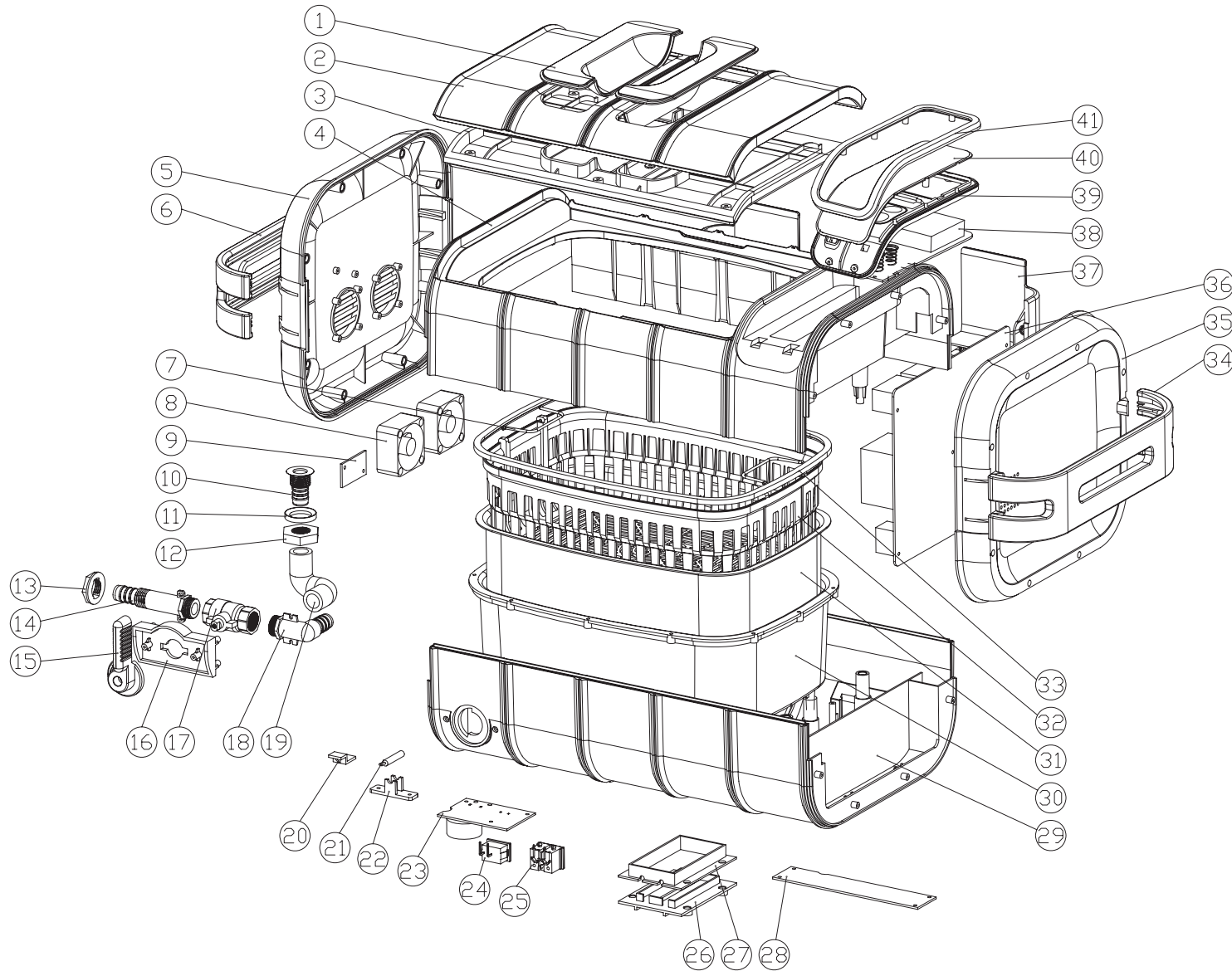


# PRODUCT EXPLOSION PICTURE



| No. | Item                        | Material             |
|-----|-----------------------------|----------------------|
| ①   | Lid-window                  | AS                   |
| ②   | Lid-top                     | ABS                  |
| ③   | Lid-bottom                  | ABS                  |
| ④   | Top ring                    | ABS                  |
| ⑤   | Left cover                  | ABS                  |
| ⑥   | Left handle                 | ABS                  |
| ⑦   | Stainless steel handle      | Stainless steel 304  |
| ⑧   | Cooling fan                 | Standard part        |
| ⑨   | Socket board for conversion | 94V0                 |
| ⑩   | Spout                       | SUS 304              |
| ⑪   | Washer                      | AL                   |
| ⑫   | Nut                         | AC                   |
| ⑬   | Nut                         | ABS                  |
| ⑭   | Spout                       | ABS                  |
| ⑮   | Valve handle                | ABS                  |
| ⑯   | Bracket                     | ABS                  |
| ⑰   | Ball valve                  | Standard part        |
| ⑱   | Elbow                       | ABS                  |
| ⑲   | Hose                        | Silicone rubber      |
| ⑳   | Thermal cutoff holder       | ABS                  |
| ㉑   | Thermocouple                | Standard part        |
| ㉒   | Thermocouple holder         | ABS                  |
| ㉓   | Power switch PCB            | 94V0                 |
| ㉔   | Power switch                | Standard part        |
| ㉕   | Power socket                | Standard part        |
| ㉖   | Heater cover                | PA 66+30% fiberglass |
| ㉗   | Heater pocket               | PA 66+30% fiberglass |
| ㉘   | Power PCB 2                 | 94V0                 |
| ㉙   | Bottom housing              | ABS                  |
| ㉚   | Inner tank                  | ABS                  |
| ㉛   | Stainless steel tank        | Stainless steel 304  |
| ㉜   | Plastic basket              | ABS                  |
| ㉝   | Silicon seal                | Silicone rubber      |
| ㉞   | Right handle                | ABS                  |
| ㉟   | Right cover                 | ABS                  |
| ㊱   | Power PCB 1                 | 94V0                 |
| ㊲   | Cover holder                | ABS                  |
| ㊳   | LED                         | Fire retardant ABS   |
| ㊴   | Keypad cover                | ABS                  |
| ㊵   | Keypad lens                 | AS                   |
| ㊶   | Control panel up cover      | ABS                  |