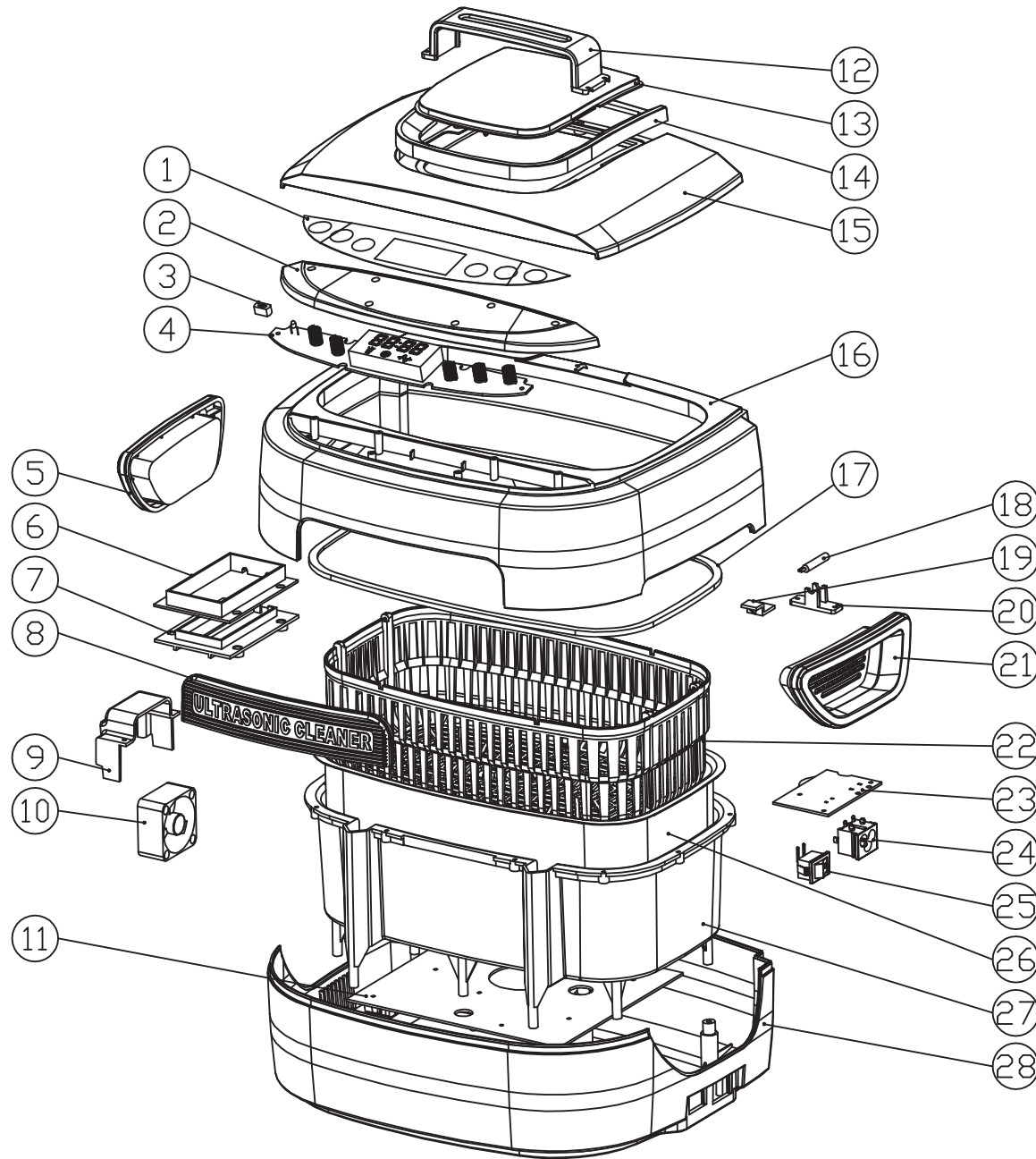


PRODUCT EXPLOSION PICTURE



No.	Item	Material
①	Panel surface	PC
②	Control panel box	ABS
③	Light socket	ABS
④	Button pad	94V0
⑤	Left handle	ABS
⑥	Heater pocket	PA 66
⑦	Heater cover	PA 66
⑧	Logo block	ABS
⑨	Cooling fan socket	ABS
⑩	Cooling fan	Standard part
⑪	Power PCB	94V0
⑫	Stainless steel handle	SUS 304
⑬	Lid-window	AS
⑭	Lid top holderwindow bracket	ABS
⑮	Lid	ABS
⑯	Top housing	ABS
⑰	Silicon seal	Silicone rubber
⑱	Thermocouple	Standard part
⑲	Thermal cutoff holder	ABS
⑳	Thermocouple holder	ABS
㉑	Right handle	ABS
㉒	Plastic basket	ABS
㉓	Power switch	94V0
㉔	Power socket	Standard part
㉕	Power switch	Standard part
㉖	Stainless steel tank	SUS 304
㉗	Inner tank	ABS
㉘	Bottom housing	ABS