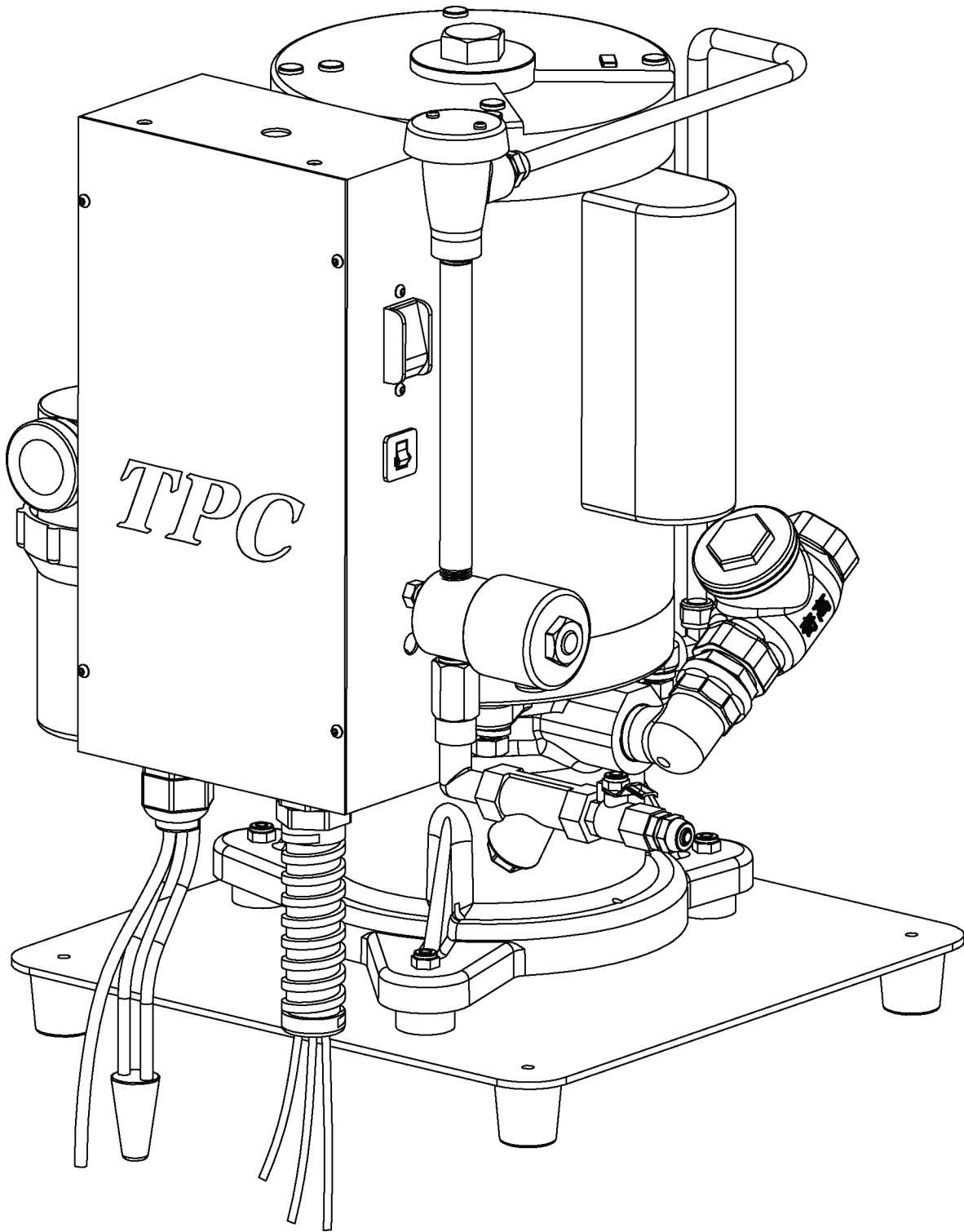
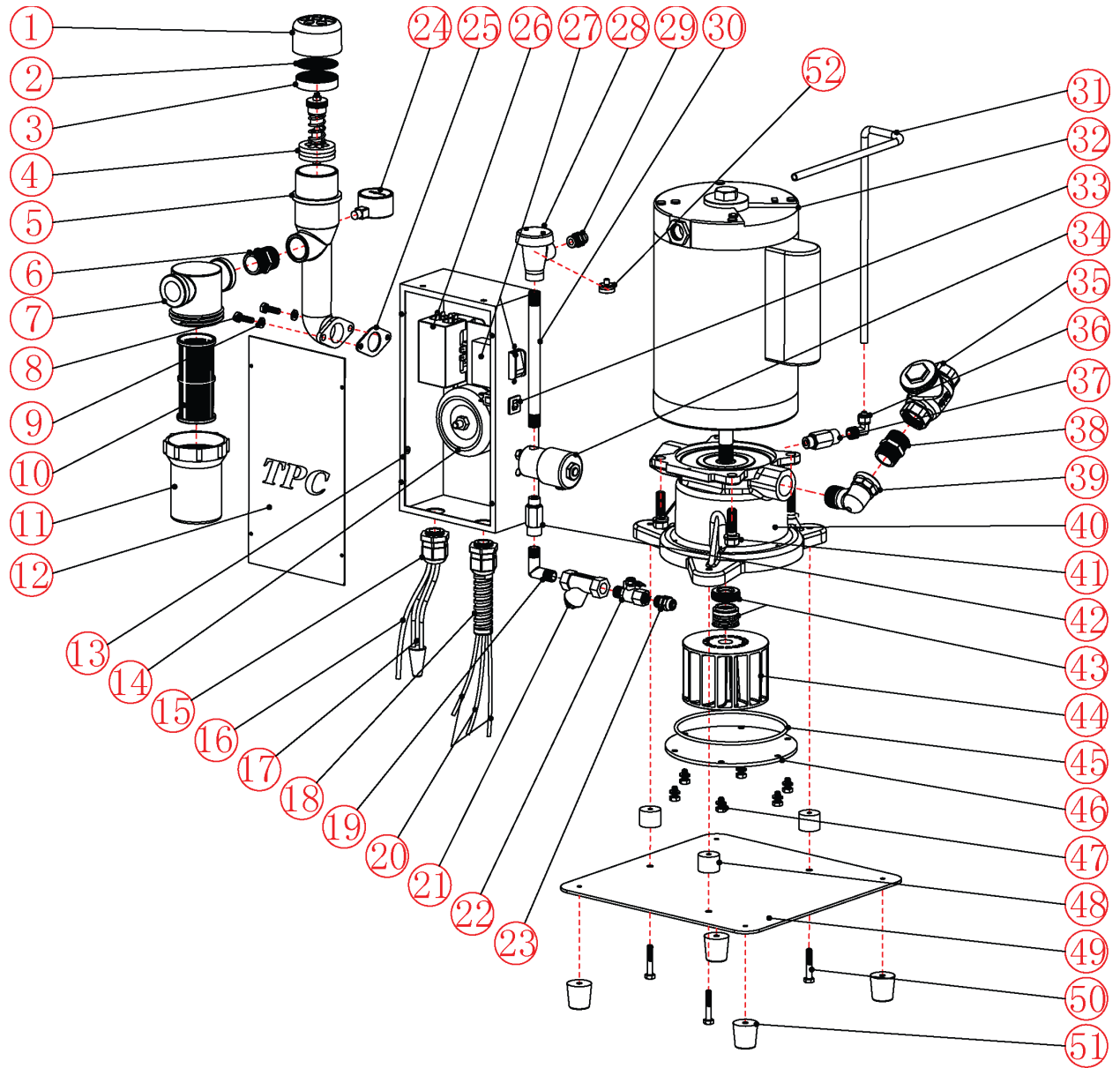


Superb Vac Parts List WV3





No.	Description	Part Number	No.	Description	Part Number
1*	Pressure Relief Cap	WV3-RP-1	27	Main Power Switch + Fuse 20Amp resettable	WV3-RP-27
2*	Pressure Relief Screen	WV3-RP-2	28*	Vacuum Breaker	WV3-RP-28
3*	Pressure Relief Baffle	WV3-RP-3	29*	Poly Coupler	WV3-RP-29
4*	Pressure Relief Valve	WV3-RP-4	30	Connecting Pipe NPT	WV3-RP-30
5*	Pressure Relief Body	WV3-RP-5	31*	Water line	WV3-RP-31
6*	¾" Union	WV3-RP-6	32*	Vacuum Motor 110V / 220V	WV3-RP-32
7	¾" Vacuum Filter Assembly	WV3-RP-7	33*	Breaker 0.5 Amp	WV3-RP-33
8	Manifold Bolt	WV3-RP-8	34*	Water Solenoid 110 / 220V Specify	WV3-RP-34
9	Manifold Washer	WV3-RP-9	35*	Check Valve ¾"	WV3-RP-35
10	Filter Screen for ¾"	WV3-RP-10	36	90 Degree Elbow NPT – Poly	WV3-RP-36
11	Vacuum Filter Clear Bowl for ¾"	WV3-RP-11	37*	Check Valve	WV3-RP-37
12	Control Panel Cover	WV3-RP-12	38*	¾" Union	WV3-RP-38
13	Control Panel Case	WV3-RP-13	39	90 Degree Elbow NPT	WV3-RP-39
14*	24V Transformer	WV3-RP-14	40	Suction Motor Base Plate	WV3-RP-40
15*	Cord Grip	WV3-RP-15	41	Bolt	WV3-RP-41
16*	Control Wire	WV3-RP-16	42	Union	WV3-RP-42
17*	Control Wire	WV3-RP-17	43	Bearing / Seal	WV3-RP-43
18*	Conduit	WV3-RP-18	44	Turbine SS	WV3-RP-44
19	90 Degree Elbow	WV3-RP-19	45	O-ring	WV3-RP-45
20*	Inlet Wire Whip	WV3-RP-20	46	Turbine Base Plate Cover	WV3-RP-46
21*	Water Filter	WV3-RP-21	47	Bolt	WV3-RP-47
22*	Water Angle Stop	WV3-RP-22	48	Rubber Legs X 4	WV3-RP-48
23	Union	WV3-RP-23	49	Base Mounting Plate	WV3-RP-49
24*	HG Gauge	WV3-RP-24	50	Bolt	WV3-RP-50
25	Manifold Gasket	WV3-RP-25	51	Rubber Base Plate Legs X 4	WV3-RP-51
26*	CHINT Contactor NCK3-32/2	WV3-RP-26	52		WV3-RP-52

* Indicates duplicated parts for WV6