



Mirage 2.0 Delivery Unit parts list

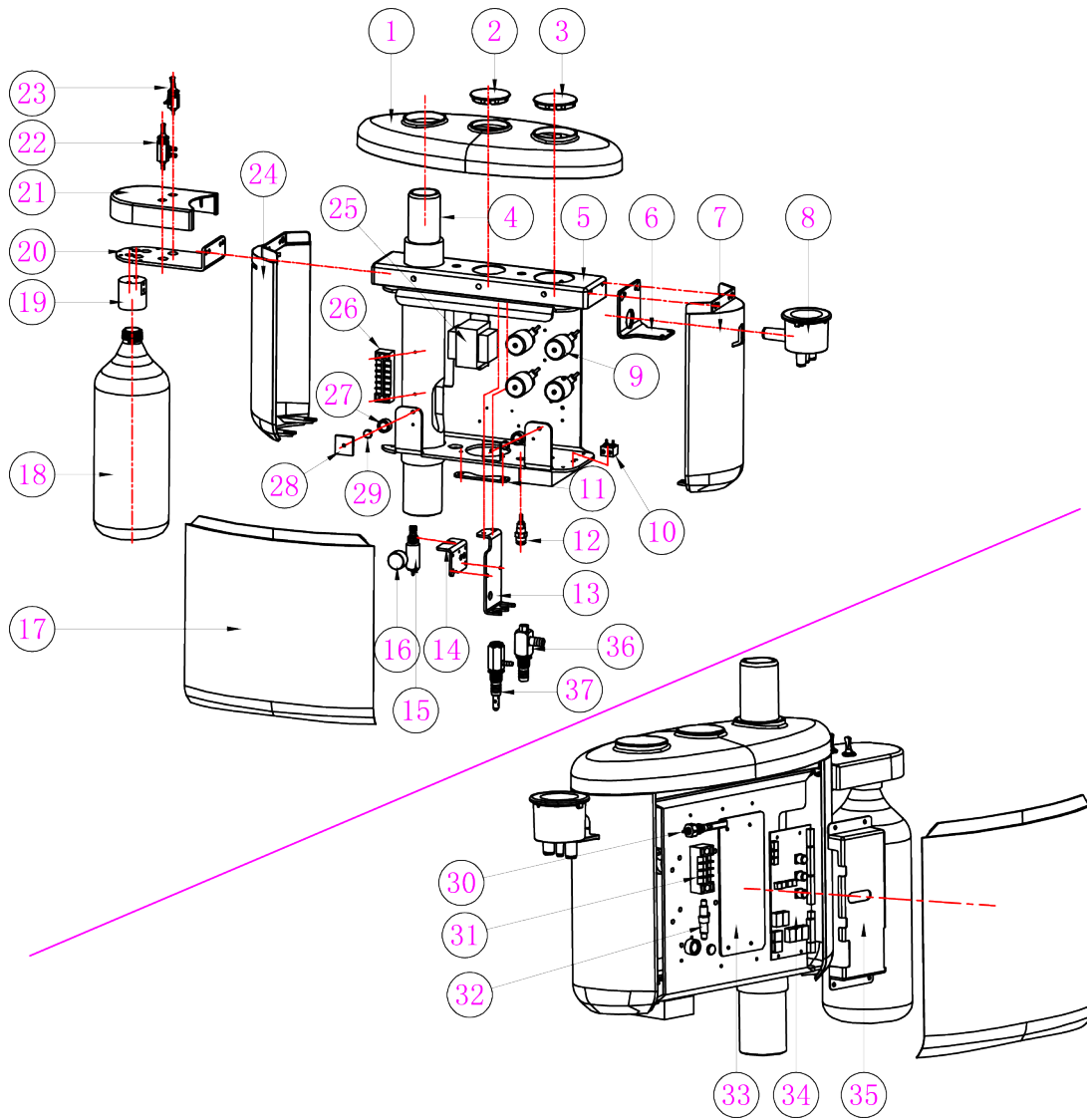
Unit Head & Flex Arm

No.	Description	Part Number	No.	Description	Part Number
1	Unit Flex Arm Complete	8011	29	Syringe Block	80129
2	Trim Ring	8012	30	Unit Head Lower Support Frame	80130
3	Bearing Assembly	8013	31	Low Voltage Terminal Block	80131
4	Ridge Arm	8014	32	Unit Head Cover	80132
5	Trim Ring	8015	33	Skid Pad	80133
6	Trim Ring	8016	34	Water Relay	80134
7	Set Screw	8017	35	Check Valves	80135
8	Bearing Assembly	8018	36	Main Tri Block	80136
9	Washer	8019	37	Routing Valve Swing Mount Only	80137
10	Retaining Clip	80110	38	Unit Head Bottom Cover	80138
11	Unit Head Support Arm	80111	39	Flex Arm Brake Assembly	80139
12	Touchpad	80112 / TP-2005	40	Lower Swing Arm	80140
13	Brake Button	80113	41	1.5 L Water Bottle	80141
14	Button Housing	80114	42	Bottle Cap Swing Mount	80142
15	O-Ring	80115	43		
16	Valve Body	80116	44	On / Off 3 way SW Bracket	80144
17	Brake Arm	80117	45	Water Bottle Bracket	80145
18	Flow Control Needle Valve	80118			
19	Momentary Flush Valve	80119			
20	Master On / Off 3-way SW	80120			
21	Exhaust Canister	80121			
22	Handpiece Holder Bar	80122			
23	HP Tubing	80123			
24	HP Holder	80124			
25	Syringe Holder	80125			
26	3-Way Syringe	80126 tpc3way-pr			
27	HP Holder Bar Support Bar	80127			
28	Pressure Gauge	80128			



Mirage 2.0 Delivery Unit parts list

Mirage Post Mount Utility Center



TPC 851 S. Lawson St. City of Industry, CA 91748
Phone 626-810-4337 Fax 626-810-4245



Mirage 2.0 Delivery Unit parts list

Mirage Post Mount Utility Center

No.	Description	Part Number
1	PMU Top Cover	8021
2	PMU Light post Cap	8022
3	PMU Cuspidor Cap	8023
4	PMU Support Post	8024
5	Top Frame Hub	8025
6	Suction Canister bracket	8026
7	PMU Back Cover	8027
8	Solids Collector	8028
9	Water Solenoid "Cuspidor"	8029
10	Syringe Block	80210
11	Umbilical Retainer Bracket	80211
12	Water Quick Disconnect	80212
13	Regulator Main Bracket	80213
14	Regulator Sub Bracket	80214
15	Mini Regulator	80215
16	Pressure Gauge	80216
17	PMU Side Cover	80217
18	Water Bottle 100 ml	80218
19	Bottle Cap Assembly	80219
20	Water Bottle Cap Bracket	80220
21	Water Bottle Shroud Cover	80221
22	Routing Valve	80222
23	On / Off 3-Way Valve	80223
24	PMU Front Cover	80224
25	24V Transformer	80225
26	Terminal Block	80226
27	Magnet Housing	80227

No.	Description	Part Number
28	Metal Plate for Side cover	80228
29	Magnet	80229
30	Pressure Switch	80230
31	Terminal Block	80231
32	Fuse Holder	80232
33	Mounting Plate	80233
34	Control PCB	80234
35	Control PCB Cover	80235
36	Air Venturi "HVE"	80236
37	Air Venturi "SE"	80237



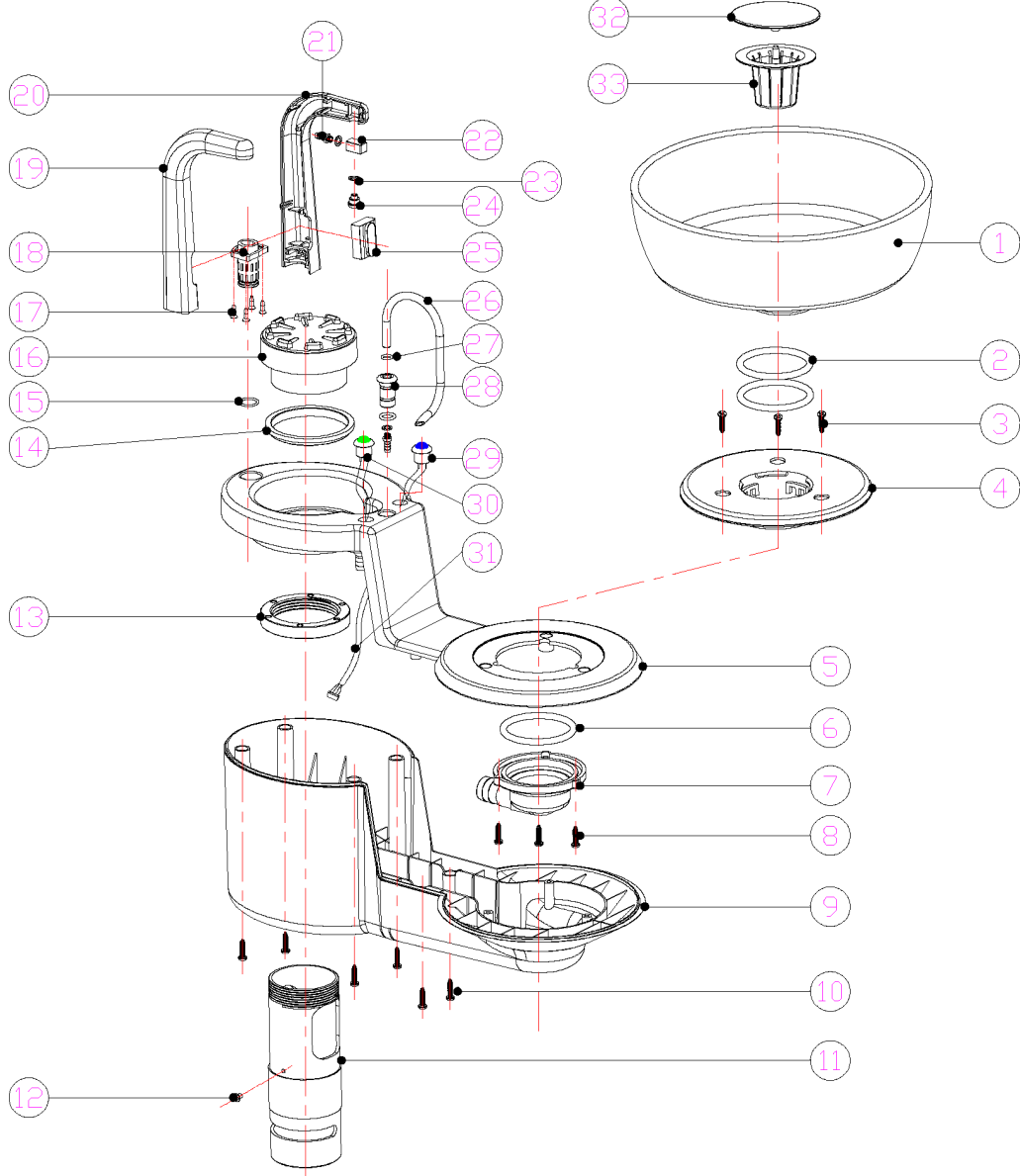
Mirage 2.0 Delivery Unit parts list

Cuspidor Assembly Parts List

TPC 851 S. Lawson St. City of Industry, CA 91748
Phone 626-810-4337 Fax 626-810-4245

TPC

Mirage 2.0 Delivery Unit parts list



TPC 851 S. Lawson St. City of Industry, CA 91748
Phone 626-810-4337 Fax 626-810-4245



Mirage 2.0 Delivery Unit parts list

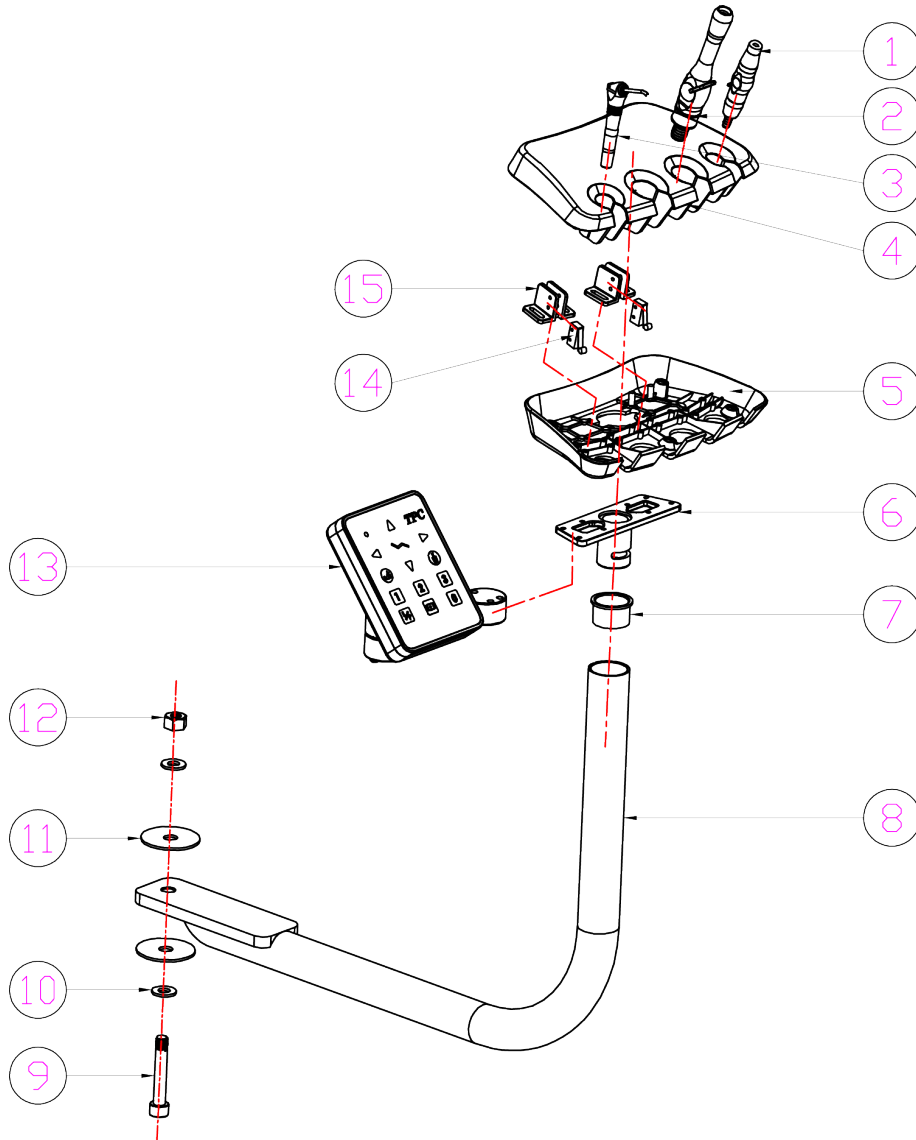
Cuspidor Assembly

No.	Description	Part Number	No.	Description	Part Number
1	Cuspidor Bowl	8031	28	Bowl Rinse Spout Socket	80328
2	O-Ring Gasket	8032	29	Cup Fill Button	80329
3	Screw	8033	30	Bowl Rise Button	80330
4	Bowl Seat	8034	31	Wire Harness	80331
5	Cuspidor Frame Top Cover	8035	32	Strainer Top	
6	O-Ring	8036	33	Strainer	
7	Socket Bowl	8037			
8	Screws	8038			
9	Cuspidor Frame Lower Cover	8039			
10	Screw	80310			
11	Cuspidor Support Post	80311			
12	Set Screw	80312			
13	Spanner Nut	80313			
14	Trim Ring	80314			
15	O-Ring	80315			
16	Cup Fill Sensor Base	80316			
17	Screw	80317			
18	Cup Fill Socket for spout	80318			
19	Cup Fill Spout Cover L	80319			
20	Cup Fill Spout Cover R	80320			
21	6X4 Barb for water line	80321			
22	90 block	80322			
23	Nylon Washer	80323			
24	Dome Spout	80324			
25	Sensor PCB	80325			
26	Bowl Rinse Spout	80326			
27	O-Ring	80327			



Mirage 2.0 Delivery Unit parts list

Assistants Arm Parts List



No.	Description	Part Number
1	Saliva ejector Valve	8041
2	HVE Valve	8042
3	3-Way Syringe	8043
4	4 position Holder Top	8044
5	4 position Holder Bottom	8045
6	Support Mount 4-pos holder	8046
7	Nylon Adaptor Bushing	8047
8	Lower Support Suction Arm	8048
9	Allen Bolt	8049
10	Washer	80410
11	Washer	80411
12	Nut	80412
13	Optional Touch Pad Control	80413
14	Electric Switch (Air Venturi) only	80414
15	Electric Switch Bracket	80415

TPC 851 S. Lawson St. City of Industry, CA 91748
 Phone 626-810-4337 Fax 626-810-4245