

## PC 2700 Portable Dental Chair Assembly Instructions

1. Remove chair and lay flat as shown.



2. Loosen the height tension knobs and lift up on the handles of the chair. This will allow the frame to open. Allow the tension knobs to lock into the desired notch. Tighten knobs once the desired height is achieved.



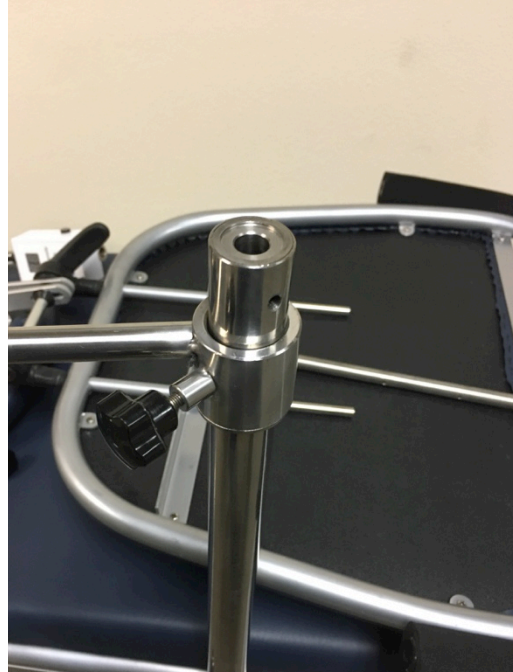
## PC 2700 Portable Dental Chair Assembly Instructions

3. Insert support post into the chair frame, Secure with included knob.

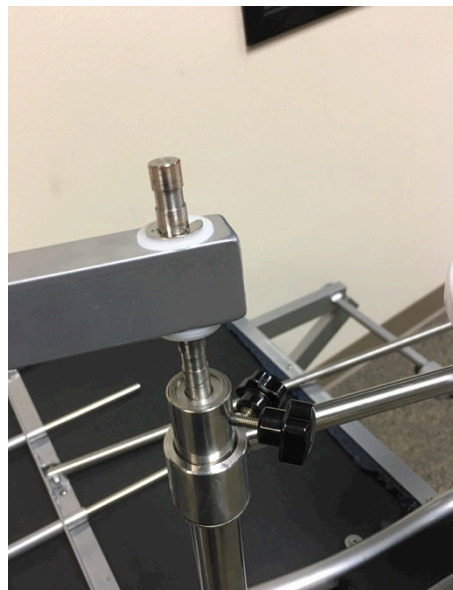


## PC 2700 Portable Dental Chair Assembly Instructions

4. Install Cuspidor onto the support post.



5. Install the stainless steel tray into the support arm. Secure in place with knob.



## PC 2700 Portable Dental Chair Assembly Instructions

6. Install light onto support post. Secure in place with knob.



7. Align the backrest support rod with the adjustment block as shown. Compress the adjustment block to allow the support rod to travel through the block. Release the handle to lock the backrest in place. Adjustment block must remain centered to allow the support rod to travel freely.

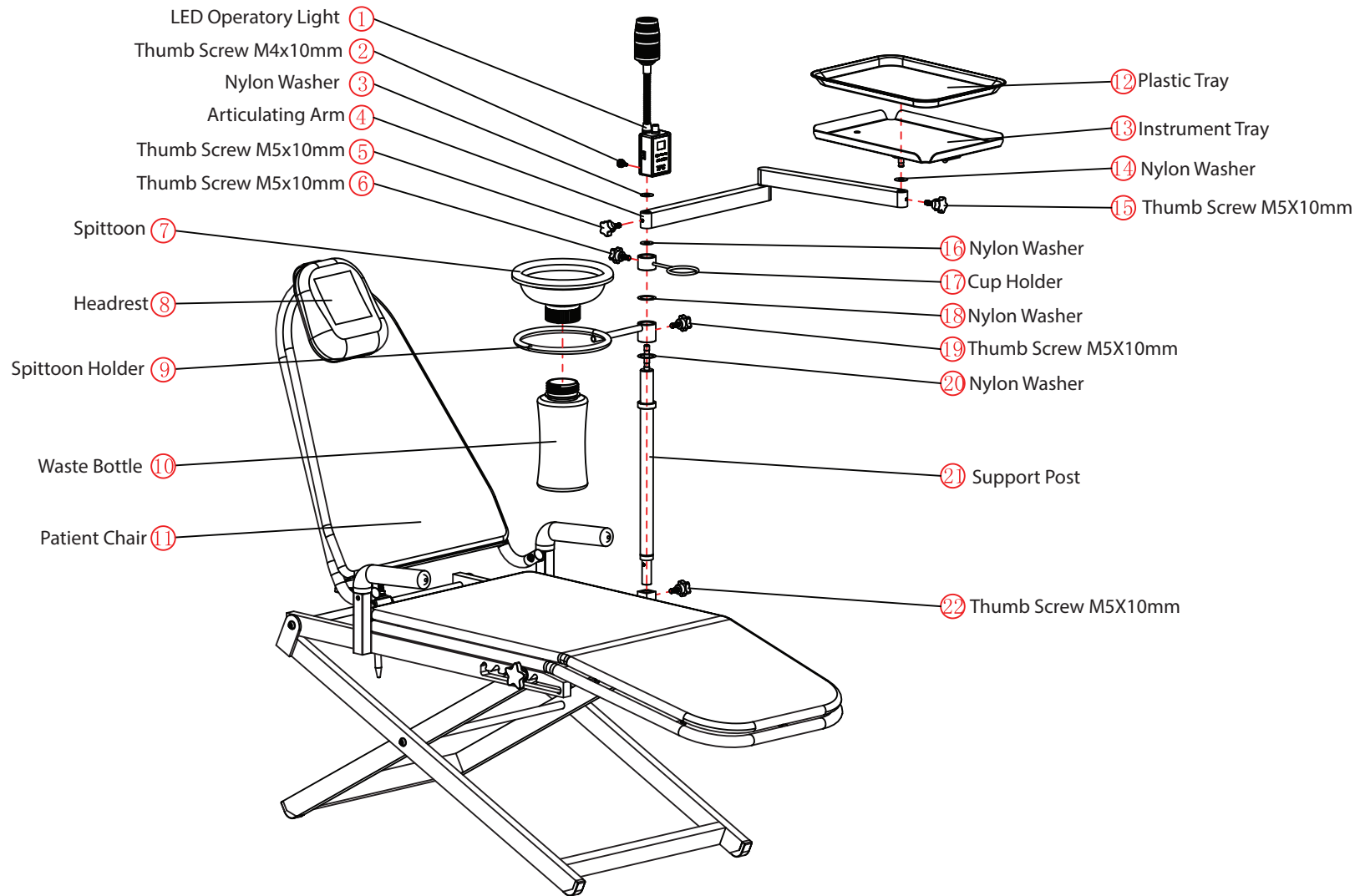


## PC 2700 Portable Dental Chair Assembly Instructions

8. To adjust the headrest, release the tension release on the right side of the headrest. Manually adjust the headrest into the desired position. Once the adjustment is made secure the tension release lever back into the locked position.



# Exploded drawing of Portable Dental Chair Package PC2780



## PC 2700 Portable Dental Chair Assembly Instructions

Specifications Page.

Height adjustment of seat: 16 ½" – 25 ½"

Overall Length of Chair: 54"

Overall Width of Chair: 18"

Backrest incline: Degrees. 110 degrees – 175 degrees

Power of LED light: 12Vdc

Waste container: 1,000ml

Weight capacity: 250 LBS