



MP2600 installation instructions

THE FOLLOWING ITEMS ARE CONTAINED IN THIS PACKAGE:

- One manual panel control unit with handpiece tubings and umbilical installed.
- One six inch holder bar, with two #6 x 3/4" wood screws.
- One syringe holder and two handpiece holders.
- One economy foot control.
- One Precision Comfort syringe.
- One syringe repair kit.
- One 3/32" hex key.

YOU WILL NEED THE FOLLOWING ADDITIONAL TOOLS TO INSTALL THE #4400:

- 1/4" and 1/8" sleeve tool, DCI #8060
- Appropriate fasteners for mounting manual panel mount control.
- Screwdriver or other appropriate hand tool for wall fasteners.
- 1/4" and 1/8" tubing sleeves.

INSTALLATION INSTRUCTIONS

1. Locate the exact position that the panel mount is to be installed and cut out a hole that is 7 1/2" x 1 1/2". There are two predrilled mounting holes in the front of the manual panel mount control. Using appropriate fasteners, mount the manual panel mount control utilizing the pre-drilled holes.
2. Route the syringe tubing and handpiece tubing as necessary to reach the mounting location of the manual panel mount control.
3. There are four supply tubing's attached to the back of the manual panel mount control. Route and connect then as follows:
 - 1/8" blue to regulated water in the utility center.
 - 1/8" yellow to barb on cap of master shut-off valves in utility center.
 - 1/8" clear to unregulated air in the utility center.
 - 1/4" gray to the foot control unribbed (outlet) tubing.
 - Route the ribbed foot control (supply) line to the utility center and connect it to regulated air.
4. Select a location for the handpiece holder bar and mount it using the #6 x 3/4" wood screws.
5. Open the manual shut-off valves in the utility center. Adjust regulated air to 80 psi and regulated water to 40 psi. When adjusting for a lower pressure, make the adjustment, and then press the syringe button to relieve the pressure to get an accurate pressure reading.

CONTROL LOCATIONS AND ADJUSTMENTS ARE:

NOTE: Adjustment screws for syringe and handpiece pressures are located on the underside of the control unit. Depending on the mounting location selected, it may be convenient to make these adjustments before mounting the panel mount control. Refer to steps 6 through 8, and to the handpiece manufacturer's instructions.

1. The handpiece operating pressure gauge is on the left front of the manual panel mount control.
2. The handpiece selector toggle is located to the right of the gauge. The toggle position indicates the active handpiece, left for handpiece #1 and right for handpiece #2.
3. The handpiece water coolant flow control valve is located to the right of the handpiece selector valve.
4. The handpiece water coolant on/off toggle valve is located to the right of the handpiece water coolant flow control knob.
5. The master on/off toggle valve is located on the right front of the manual panel mount control.
6. Syringe Adjustments:

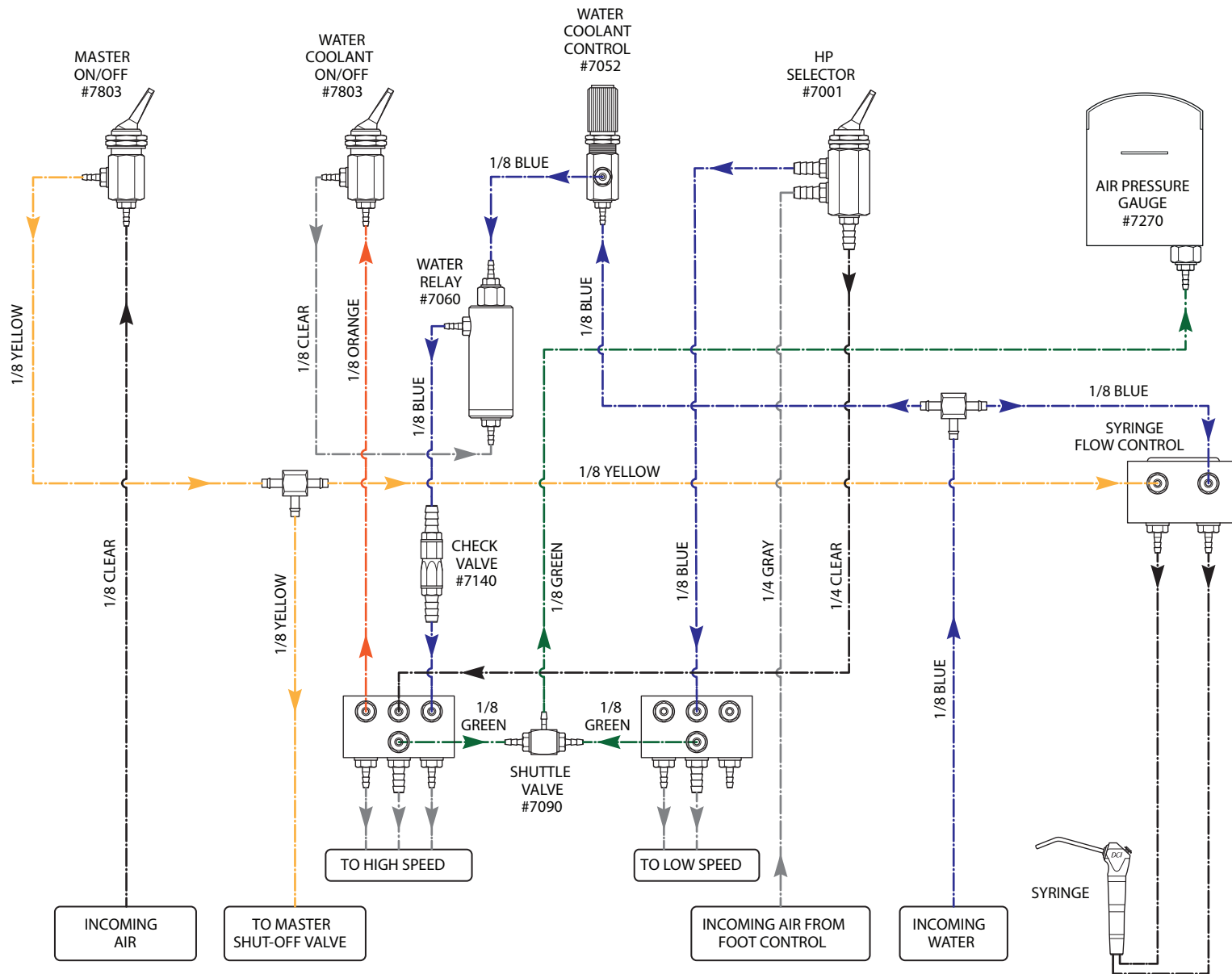
The syringe adjustment screws are located on the underside of the manual panel mount control. Use the 3/32" hex key provided to make the adjustments. Turn the screws clockwise for less flow, counterclockwise for more flow.

7. Handpiece Operating Pressure Adjustments:
 - Install a bur in the handpiece to be tested. The master on/off toggle must be in the on position. With the handpiece selector toggle select the handpiece you want to adjust.
 - Place the water coolant on/off toggle in the off position.
 - Step on the foot control disc until the handpiece is running at maximum speed. The handpiece pressure adjustment screws are located on the underside of the manual panel mount control, to the left of the syringe adjustment screws.
 - Using the 3/32" hex key adjust handpiece pressures. As you face the panel mount control the number one handpiece adjustment screw is on the left, and the number two handpiece adjustment screw is on the right. Turn the adjustment screw counter-clockwise until the pressure gauge reads a little more than the recommended operating pressure. Then turn the screw until the pressure gauge indicates the recommended operating pressure. Handpiece pressures should be adjusted in accordance with the manufacturer's recommendation.
 - Repeat this step for the remaining handpiece.

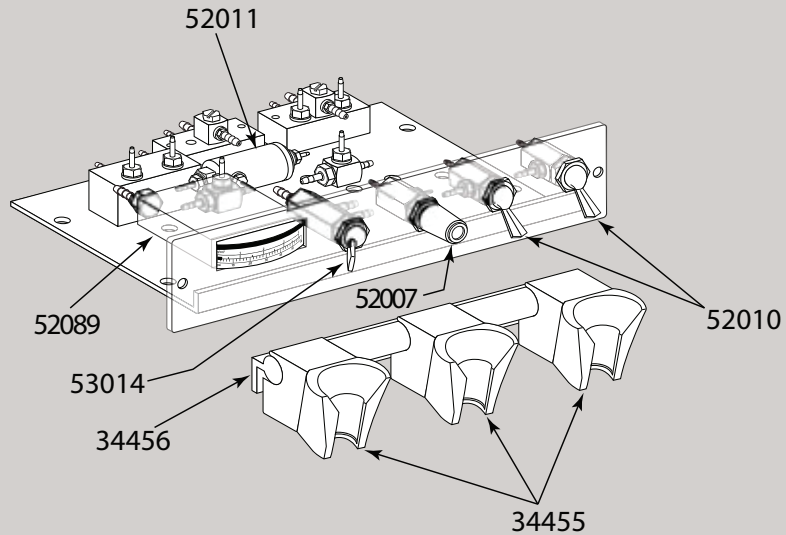
8. Handpiece Water Coolant Adjustment:

Place the water coolant on/off toggle in the on position. Install a bur in handpiece number two. Press on the foot control disc until the handpiece is running at half operating speed. Adjust the water coolant flow control knob until a fine spray is present around the bur. Very little water coolant is required to attain the appropriate spray pattern.

MP-2600 Manual Panel or Shelf Mount Plumbing Diagram



Panel Surface Mount Control Unit



Part Number	Description	Qty
52100	Anit Retraction Water Relay	1
52089	Pressure Gauge	1
53014	Routing Vavle	1
52007	Needle Valve	1
52010	3 Way On / Off Valve	2
34456	Holder Bar	1
34455	Handpiece Holders	3