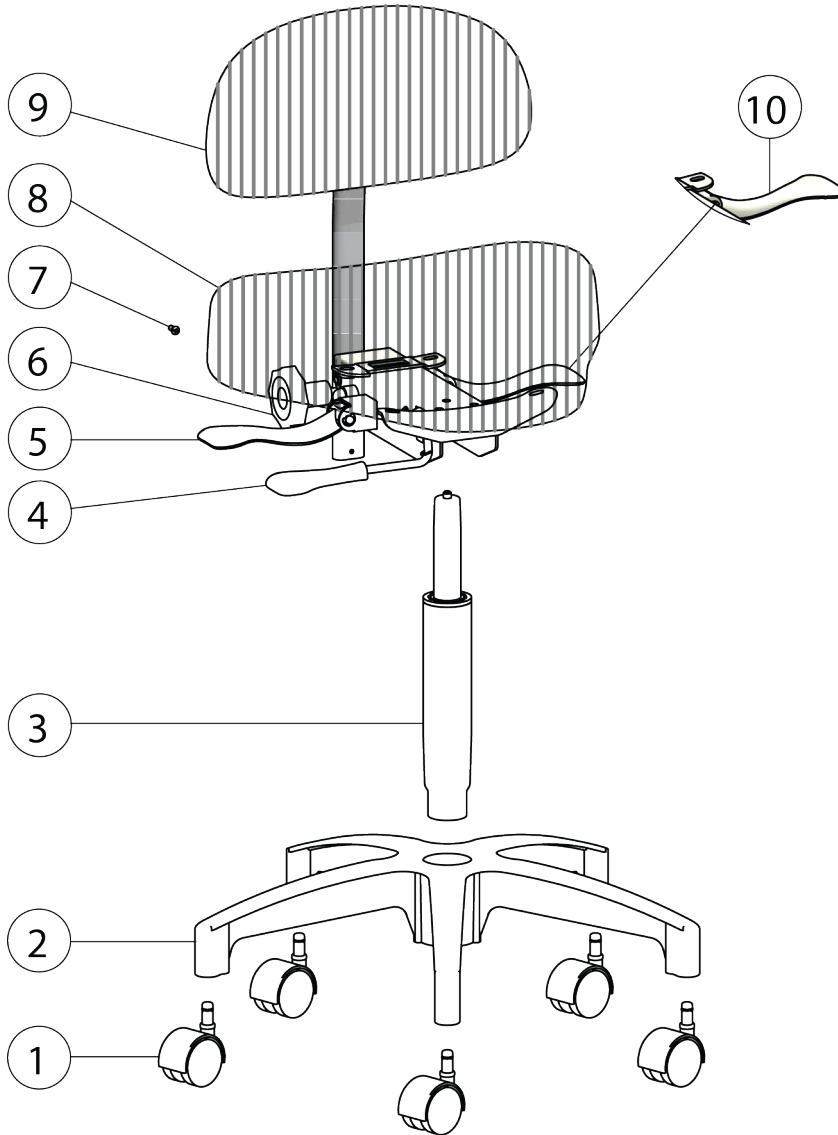




## HY-5107 Doctors Stool Assembly instructions

**This stool requires a limited amount of assembly. Please follow the assembly instructions below.**

1. Insert Caster wheels (1) into support base (2).
2. Insert gas cylinder (3) into support base (2).
3. Attach seat cushion (8) onto gas cylinder (3).
4. Remove lock screw (7) from backrest stem (9).
5. Insert backrest stem from backrest (9) into seat mechanism (8).
6. Re-install stop screw (7) to secure backrest stem into seat mechanism.



### Stool Function Adjustments

#### Seat Height

The height of the seat can be adjusted by pulling up on height adjustment lever (4). Applying and removing pressure on the seat will raise and lower the height. Release adjustment lever (4) once desired height has been reached.

#### Seat Tilt

The seat will tilt -5 degrees forward and 6 degrees backwards. By pushing lever (5) downward to the "free float" position, the seat tilt will move freely. Once in the desired position pull adjustment lever (5) up to lock in place.

#### Back tilt

The backrest has 10 degrees of forward tilt and 14 degrees of backward tilt. Pull Lever (10) to adjust the backrest tilt position. Release once desired angle is reached.

#### Back Height

The height of the backrest may be adjusted by loosening adjustment knob (6). Slide the backrest up and down until the desired height is reached. Secure by tightening adjustment knob (6).