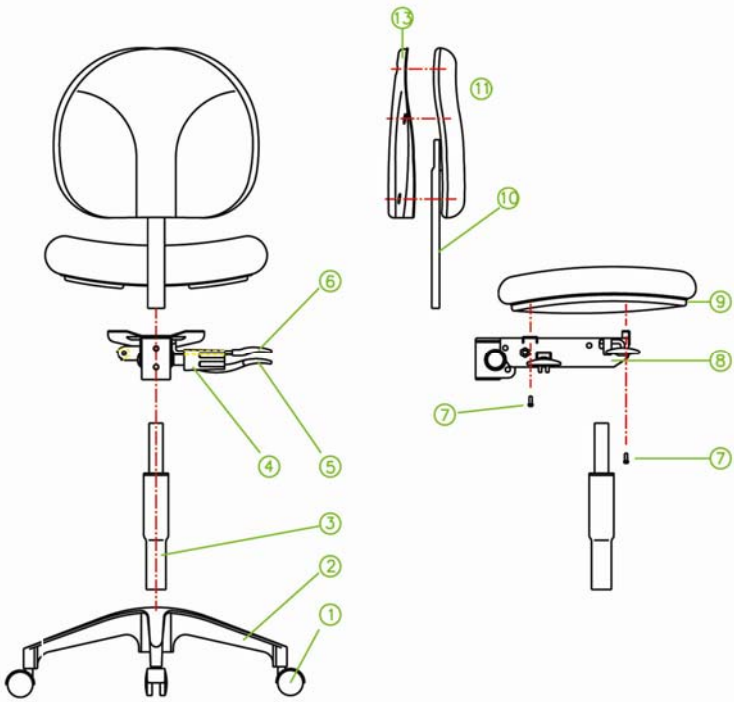


Doctors Stool



No.	Part Number	Description	QTY
1	DR1102-1	Caster	5
2	DR1102-2	Base	1
3	DR1102-3	Cylinder	1
4	DR1102-4	Control Rod	1
5	DR1102-5	Tilt Lever	1
6	DR1102-6	Up / Down Lever	1
7	DR1102-7	Screws	4
8	DR1102-8	Seat Bracket	1
9	DR1102-9	Seat Cushion	1
10	DR1102-10	Backrest Stem	1
11	DR1102-11	Backrest Cushion	1
12	DR1102-12	TBA	
13	DR1102-13	Backrest Cover	1

Assistants Stool AS1101



No.	Part Number	Description	QTY
1	AS1101-1	Casters	5
2	AS1101-2	Base	1
3	AS1101-3	Cylinder	1
4	AS1101-4	Foot Rest	1
5	AS1101-5	Knob	1
6	AS1101-6	Retaining Ring	1
7	AS1101-7	Assistance Arm	1
8	AS1101-8	Up/Down lever	1
9	AS1101-9	Knob	1
10	AS1101-10	Ring	1
11	AS1101-11	Knob	1
12	AS1101-12	Washer	1
13	AS1101-13	Lock Washer	1
14	AS1101-14	Screw	4
15	AS1101-15	Seat bracket	1
16	AS1101-16	Seat Cushion	1
17	AS1101-17	Arm Ratchet Assy	1
18	AS1101-18	Assistance Arm cushion	1
19	AS1101-19	Plastic Back Cover	1