

TPC

Lucent Operator Ceiling mount Dental Light



Operation and service manual

TPC

851 S. Lawson St

City Of Industry, CA 91748

P626-810-4337 Fax 626-810-4245

www.tpcdental.com



Table on Contents:

Page

GENERAL INFORMATION

3

Installation

4

Overview of components

5

Operation instructions

6

Light head and vertical arm adjustment
replacement of light bulb

7

8

Replacement Parts List

9

CLEANING & DISINFECTING GUIDE

12

Warranty

13

TROUBLE SHOOTING GUIDE









14

**Technical Assistance is available Monday through
Friday, 8:00 Am to 5:00 PM PST.**

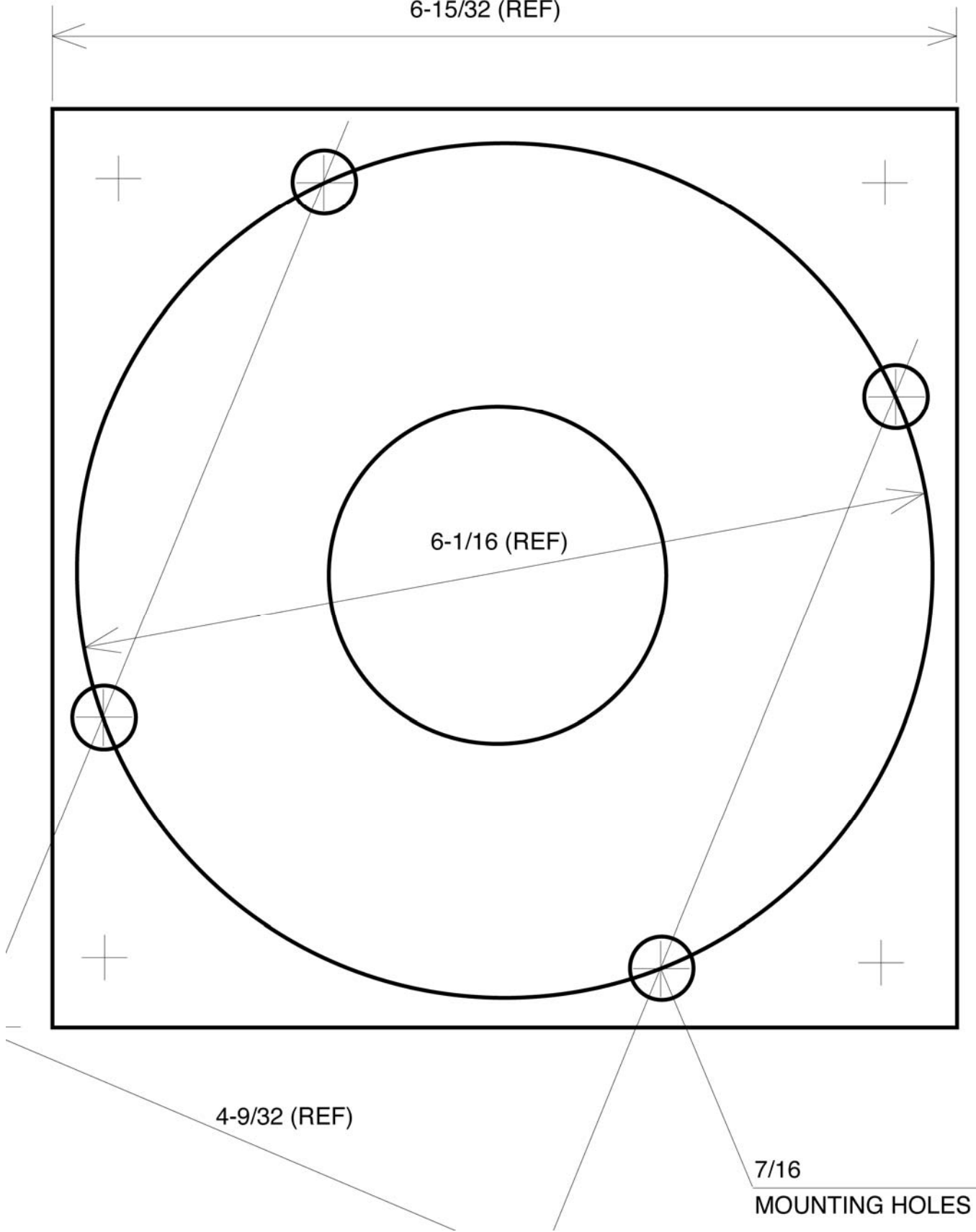
TPC

General Information:

Definitions of symbols

 <p>CAUTION! Electrical shock hazard inside</p>	<p>Risk of electrical shock present. Make sure power is disconnected before attempting this procedure.</p>		<p>Type B equipment against electrical shock)(Protected a</p>
	<p>Caution: Failure to carefully follow the described procedure may result in damage to the equipment or operator.</p>		<p>Dangerous Voltage</p>
	<p>AC (Alternating Current)</p>		<p>Off</p>
	<p>Protective earth (Ground)e</p>		<p>On</p>

Model: L800 Lucent Dental Light
 Serial No: L800-8675309
 Input Voltage: 120V ~ 60Hz
 Current: 1A
 Warning: RISK OF FIRE - CLASS I
 Replace fuse as marked 
 1A Fuses
 Manufactured: 7-2009
TPC
 Reference Owner's Manual 
 18525 E. Gale Ave.
 City Of Industry, CA 91748

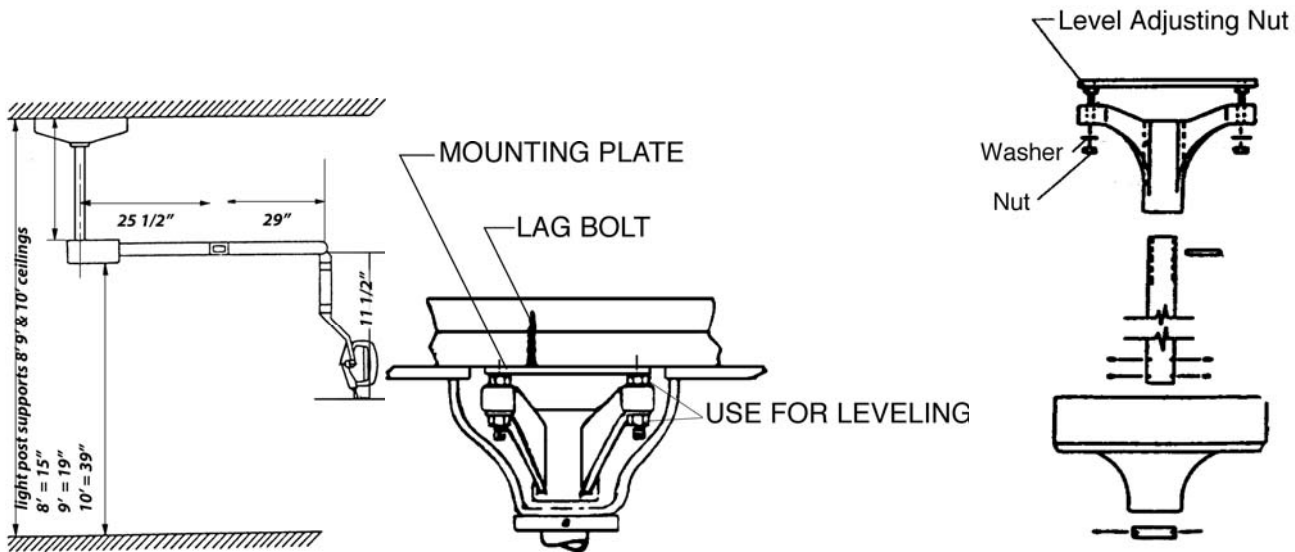




Operatory Light Installation

1. Secure mounting plate to the ceiling using supplied LAG bolts.
2. Route power supply through the center of the mounting plate.
3. Install the leveling nuts between the mounting plate and ceiling flange if not already attached.
4. Route the wire through drop post and Install the light post into the ceiling flange and secure it with the provided roll pin.
5. Secure the light post to the ceiling flange by tightening the set screws.
6. Slide the flange cover and flange cover retaining ring up over the drop post and secure it in place.
7. Connect the incoming power lines to the 3 cord wire and secure it with wire nuts.
8. Install the light transformer housing to the drop post and attached it using only the supplied set screws.

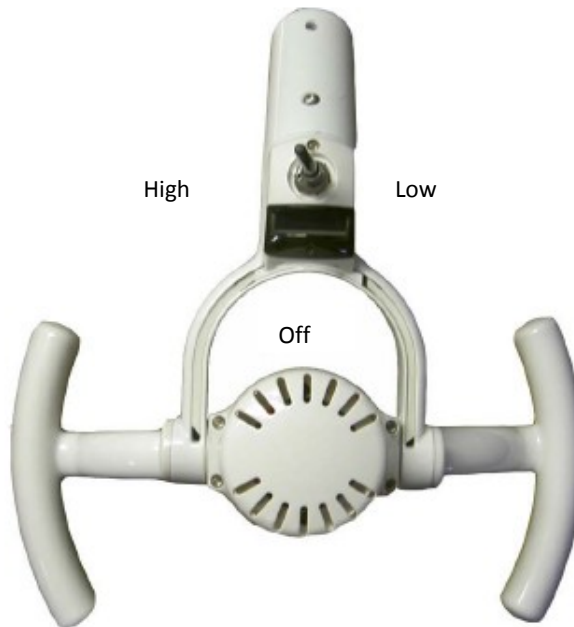
See diagram below for plate and flange installation.



TPC

Operating Instructions

- X Move power switch to the left to set the light to high intensity. Move the power switch back to the center position to turn it to the off position. Move the power switch to the right to right to turn it to low intensity.



- X To adjust the position of the light, place your hand on the light handle and move it to the desired location. You can move the light head up and down and left and right. When turning the light head left and right it will stop, don't force any further movement of the light head as damage may occur.
- X To bring the light closer to the patient or desired illuminated location pull down on the light handle to move the vertical arm. Once the light is in the desired location it will stay in that position until you move it back.

TPC

Light Head adjustment

- X If you experience a downward drift with your operatory light head please follow the following procedure below.
- X Remove the nut cover shown in the image below. Tighten both retaining nuts on side of the light head. See images below. To tighten the nuts turn them clockwise. Do not over tighten the nuts as damage may occur.



Tension Nut

Vertical Arm adjustment

- X If you experience a downward drift with your operatory lights vertical arm please follow the producer below.
- X Remove the end cap cover on the end of the vertical arm closest to the light head. This requires a small Phillips screw driver.
Turn the nut located at the end of the light arm to adjust the tension.
- X Turn the nut clockwise to increase the tension. Turn the nut counter clockwise to
- X decrease the tension.
If your vertical light arm drifts down then you need to increase the tension. If the vertical light arm drifts back up you need to decrease the tension.
- X





Light Bulb Replacement Instructions.

1. Locate the rear cover to the operatory light and remove the 4 Allen screws with a 3/32 Allen wrench.



2. Locate the tension spring retainer. Once you locate it press it in and rotate it counter clockwise. These will UN lock the retaining spring that holds in the light bulb.

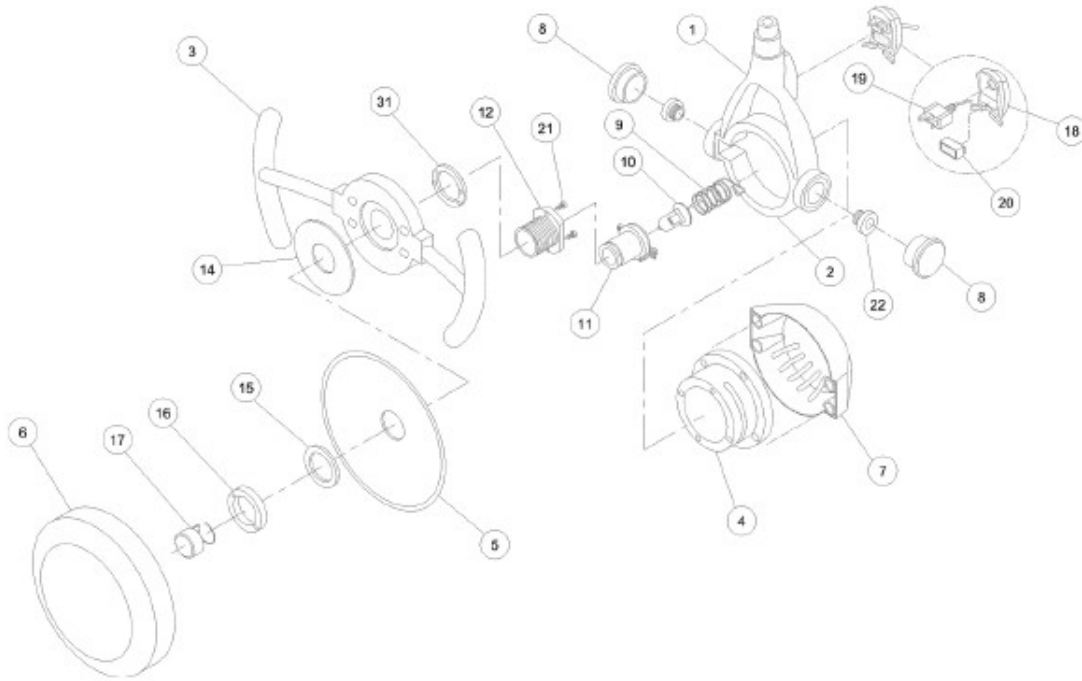


3. Remove the wire that connects the light bulb to the wiring harness "the red wire". Replace the light bulb with replacement light bulb part number P709 or similar. Halogen lamp 12 Volts 55 Watts.



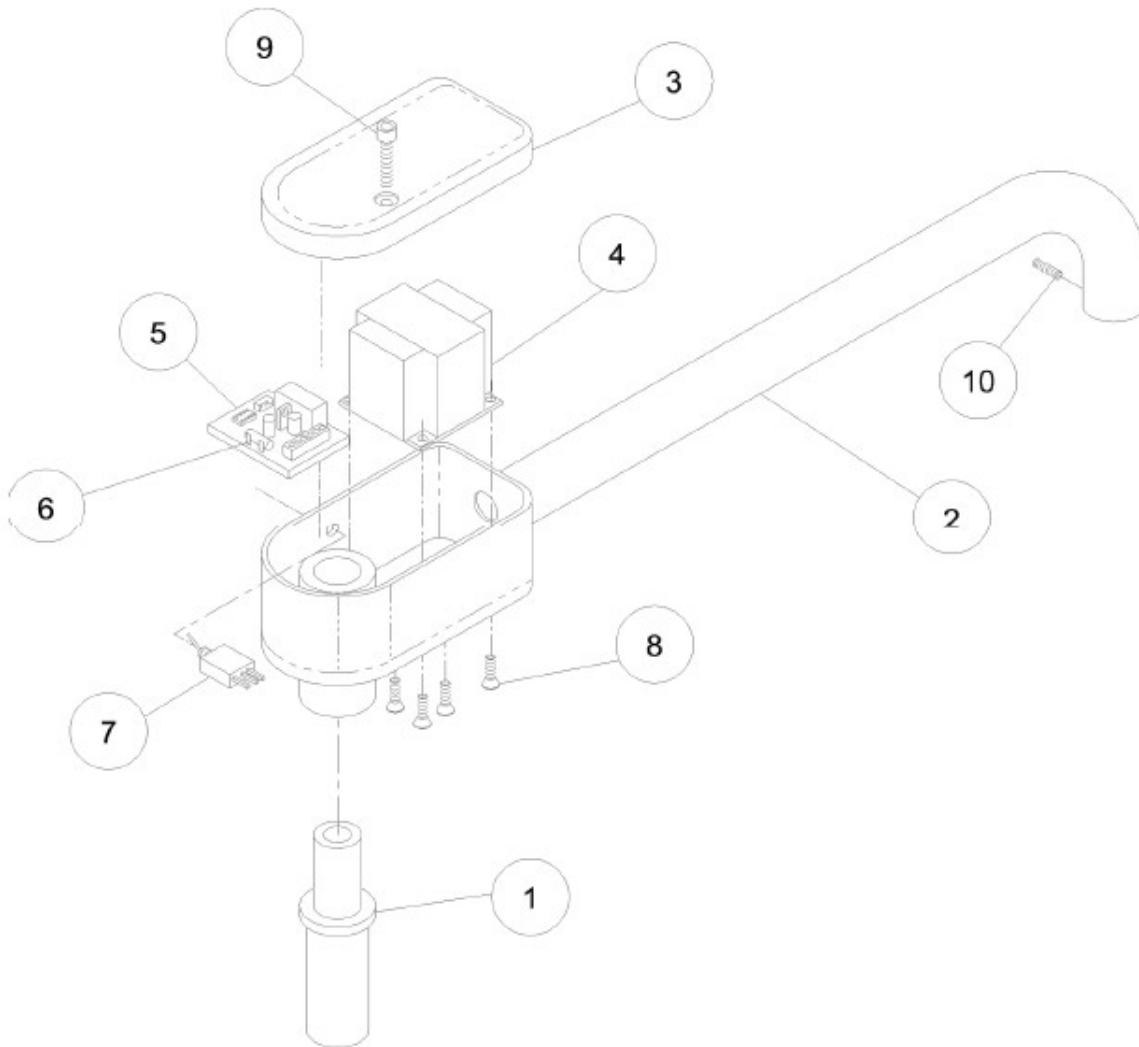
TPC

Replacement Parts List



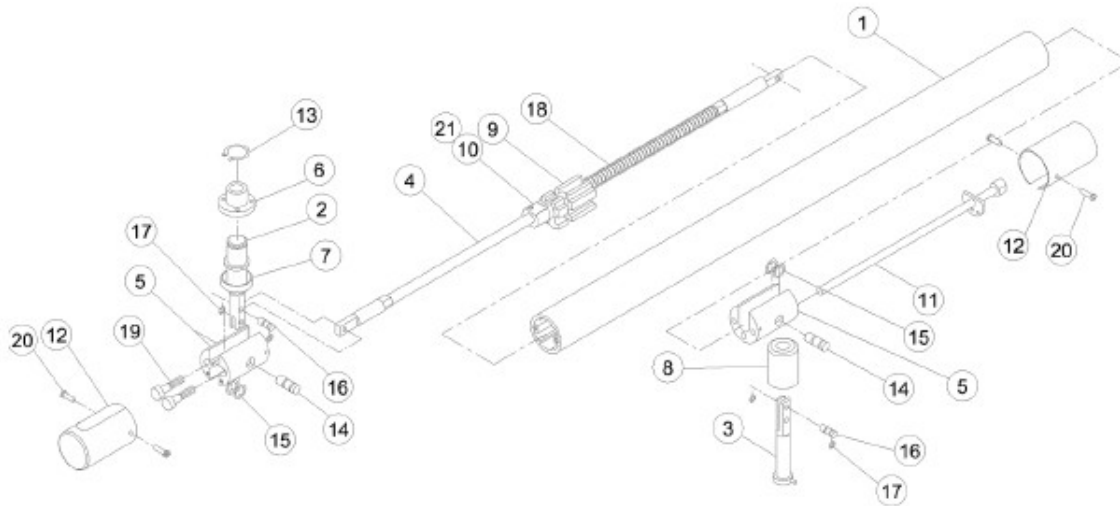
Item	Part	Number	Description
1	56051	1	Yoke
2	56052	2	Support Yoke
3	56053	3	Handle Frame
4	56054	4	Socket Bushing
5	56055	5	Reflector
6	56056	6	Shield
7	56057	7	Rear Cover
8	56058	8	Tension Covers
9	56059	9	Light Bulb Tension Spring
10	P709	10	Light Bulb
11	56061	11	Light bulb Socket
12	56062	12	Reflector Holder Bushing
13	56063	13	Washer
14	56064	14	Rubber Grommet
15	56065	15	Large Washer
16	56066	16	Round Nut
17	56067	17	Deflector
18	56068	18	Cover, Switch
19	56069	19	Power Switch
20	56070	20	Sensor PCB
21	56071	21	Screw
22	56072	22	Light Head Wire Harness

TPC



Item	Part Number	Description
1	56001	Light Bushing
2	56002	Rigid Arm
3	56003	Cover, Transformer
4	56004	Transformer
5	56005	PCB Board
6	56006	Fuse
7	56007	Switch
8	56008	Screw X 4
9	56009	Transformer Cover Screw
10	56010	Set Screw

TPC



Item	Part Number	Description
1	56021	Cover Flex Arm
2	56022	Knuckle, Rigid Arm
3	56023	Knuckle, Head
4	56024	Spring Rod
5	56025	Extension Support
6	56026	Bushing
7	56027	Bezel
8	56028	Bushing
9	56029	Block Spring Tensioner
10	56030	Friction Block
11	56031	Tensioner Rod
12	56032	End Cap Cover
13	56033	Retainer Ring
14	56034	Long Pin
15	56035	Retainer Ring Small
16	56036	Short Pin
17	56037	Retainer Ring Small
18	56038	Spring
19	56039	Screw Cap Head Socket
20	56040	Screw, End Cap
21	56041	Friction Screw



Cleaning and disinfecting guide

Table 1

*The Manufacturer makes no representation as to the disinfectant efficacy of these products. We make no warranty expressed or implied that these disinfectants will not damage the surface finishes. Damage and discoloration of the surface finishes are not covered under the warranty. Iodophor based disinfectants will cause yellow staining on many surfaces. Regular washing with soap and water will minimize this staining. Iodophor neutralizers such as Promedyne are also available.

<p>Unacceptable Disinfectants These disinfectants will harm the surface finishes of dental equipment and are not recommended. Use of these products will void your warranty. Chemical Composition / Trade Names Strong Phenols / Lysol, Lysol 2, Lysol Phenol Alcohol Professional, Coe Foam, Coe combinations Spray Pump, Vitaphene, Omni II Sodium Hypochlorite / Clorox, Ajax, Purex Household Bleach Alcohol Household Cleaners</p>	<p>Conditionally Acceptable Disinfectants These disinfectants have been found to be the least harmful to the equipment surfaces by our test methods. Chemical Composition Trade Names Iodophors Biocide, Aseptic IDC, Wescodyne, SD5, Promedyne, Iodo Five Mild Phenols Procide ES, Asepti Steryl Aerosol Glutaraldehyde / Sterall Spray, Coldspor Phenol Sprays Synergized Super Dis cide, Cavicide, Kleenaseptic Quat Phenol/Water Sprays Top Cide, Sporicidin Pump Spray Birex se</p>
--------------------------------------------------------------------------------------------------------------------------------------------------------------------------------------------------------------------------------------------------------------------------------------------------------------------------------------------------------------------------------------------------------------------------------------------------------------------------------------------------	----------------------------------------------------------------------------------------------------------------------------------------------------------------------------------------------------------------------------------------------------------------------------------------------------------------------------------------------------------------------------------------------------------------------------------------------------------------------------------------------------------------------------------------------------



Warranty Information

All of our products sold are guaranteed to be free from defects in workmanship and materials for a 1 year from date of purchase, unless otherwise stated. TPC will repair or replace any defective part at no charge. TPC will not be responsible for labor charges or shipping charges to / from the TPC facility. This guarantee does not cover normal wear or stains on surface finish. The guarantee does not cover damage resulting from improper installation, misuse or accidents incurred in shipping and handling. All claims against the freight carrier must be initiated at the time the damaged items are received. The claim is the responsibility of the customer. We are improving our products on a continuous basis. We reserve the right to make modifications without the need for prior notification and are not obliged to modify previously manufactured items. Light bulbs are not covered under any type of warranty. Only authorized service technicians should attempt to service TPC equipment. Service performed by any unauthorized technician may result in a voided warranty.



Troubleshooting Guide.

Problem	Cause	Solution
Light does not illuminate	No power to light	Check power
	Light bulb has expired	Replace light bulb
	Transformer is expired	Replace transformer
Only high or low function works	Secondary windings on transformers are expired	Replace transformer
	Main power switch is bad	Replace main power switch
Light turns on and off then the light head is moved	Short or open in power line form transformer.	Check each power line for short or open. Then replace.
	Light head tension springs are loose	Tighten light head spring nuts.
Light head drifts down	Vertical arm tension spring needs to be adjusted	Adjust vertical arm tension.
	Light post is not level	
Light drifts from left to right		Level light post.